

## Thank you for choosing AlwaysFresh™ Water the Way you Want It!™

Your AlwaysFresh Drinking Water System will provide delicious tasting, crystal clear water directly from the selected tap... water that's great for drinking, cooking, hot or cold beverages, rinsing fruits and vegetables, and conveniently connects to your ice maker, instant hot tap, chiller or built in coffee maker.

**The HFC-1000 is certified for 1.5 gpm flow and currently the only point of use drinking water system NSF/ANSI standard 42/53 certified for Volatile Organic Chemical, and MTBE at this flow rate.**

Most systems have to reduce the flow to 1/2 gpm to achieve similar performance. Now you can enjoy high flow and chemical reduction with one system!

High flow rates are convenient as well as efficient. **Connecting the system to the existing cold water supply to the sink eliminates the need (most of the time) for a separate dispensing tap.** When connected to the existing cold water faucet in your kitchen or at your bathroom sink, your family members are using filtered water for the benefits of a more healthy lifestyle. The amount of filtered water used for other purposes in the kitchen ie, dishwashing, hand washing is minimal and the design allows you to use the water freely and still maintain an annual cartridge maintenance interval for most homes.

### AlwaysFresh uses exclusive carbon block technology:

Superior Chemical reduction and fine filtration are combined to produce high quality drinking water with high flow rates. With the surface area for adsorption and filtration of up to 3x the carbon filtration area (of comparable size units) Alwaysfresh combines high capacity, 1/2 micron fine filtration carbon block wrapped with a 5 micron prefilter, and as well as an silver zeolite technology for filter protection & optimizing efficacy and longevity. It also includes a hard water scale control system\* that protects your water using appliances that heat, chill or freeze water. Scale control will extend the life of these water using appliances and the exclusive carbon block technology will produce a superior quality of drinking water for your family.

All AlwaysFresh Drinking Water Systems must be maintained according to the manufacturer's instructions, including timely replacement of the filter cartridge.

Do not use with water that is microbiologically unsafe, or of unknown quality, without adequate disinfection before or after the system. Systems certified for cysts reduction may be used on disinfected waters that may contain filterable cysts.

Check for compliance with state and local laws and regulations.

Note: Some states require installation by licensed installers, and some states prohibit the use of saddle valves.

Note: Claims of capacity or rated service cycle are not applicable for mechanical filtration units because of broad variations in quality and quantity of particulate matter found in drinking water.

All of the contaminants and other substances reduced by your system are not necessarily in your drinking water. However, the system can reduce chlorine taste and odors, as well as cysts and other particulates 1/2 micron(1/50,000 of an inch) and larger.

HFC-1000 conforms to NSF/ANSI 53 FOR VOC reduction. See performance data sheet for individual contaminant and reduction claims.

These systems must be maintained according to the manufacturer's instructions, including replacement of cartridge.

\*Claim not certified for scale control

## The Owner's Guide is Applicable for the following Model Numbers:

<b>HFC-1000</b> .....	DWS Rated capacity: 500 gallons
<b>SF-1000</b> .....	DWS Rated capacity: 1000 gallons
<b>SK-100</b> .....	DWS Rated capacity: 100 gallons

For optimum performance cartridge replacement is required once per year or sooner if the flow rate becomes too slow or if capacity is reached whichever occurs first!

### Replacement components:

<b>RC HFC-1000</b>	<b>RC SF-1000</b>
--------------------	-------------------

## INSTALLATION OF YOUR SYSTEM

It is important that the installation be clean and sanitary. It is recommended that all water contact parts, fittings, tubing, faucet, etc. ... be immersed in disinfectant (a capful of laundry bleach per gallon of water), at the start of the installation.

Most systems have the mounting bracket attached to the filter head assembly to insure that the inlet and outlet fittings are always in the same position. Reversing this mounting bracket could result in system being installed backwards and thereby reduce its usable life.



**These systems conform to NSF/ANSI 42 and 53 for specific performance as verified and substantiated by test data:**

Model Number and replacement cartridges	HFC-1000 RC-HFC 1000	SF-1000 RC-SF-1000	
<b>Standard 42: Aesthetic Effects</b>			
Chemical Reduction			
• Taste & Odor	yes	yes	
• Aesthetic Chlorine Taste & Odor	yes	yes	
• Aesthetic Chloramine Taste & Odor	yes		
Mechanical Filtration			
• Particulate Class 1	yes	yes	
<b>Standard 53: Health Effects</b>			
Chemical Reduction			
• Lead	yes	yes	
• MTBE	yes		
• TTHM's & VOC's	yes		
Mechanical Filtration			
• Turbidity	yes	yes	
• Cyst	yes	yes	

Specifications: Cold Water Only			
<b>Capacity in gallons</b>	500	1000	
Temperature			
• (35-100° F) 2-38° C	yes	yes	
Min-Max Pressure			
• 10-125 psi (.7-8.6 bar)	yes	yes	
Service Flow rate	1.5 gpm (5.7 lpm)	.75 gpm (2.85 lpm)	
Dimensions: (W x D x H)			
5" x 5" x (including 2.5" clearance)	23"	18"	
Filter Protection-Silver Zeolite	yes	yes	
Scale Control*	yes	yes	
.5 micron filtration	yes	yes	
5 micron prefiltration built-in	yes	yes	

"Commonwealth of MA Plumbing Code 248 CMR shall be adhered to. The use of saddle valves are not permitted. Please consult your local plumber."

## INSTALLATION INSTRUCTIONS

### AlwaysFresh System mounting/location details:

The systems are designed for under the sink installation. Optional basement or utility area is OK, however additional 3/8" tubing and fittings will be required.

- 1) Install filter cartridge into the head assembly using cartridge installation instructions.
  - a. Using a water proof marker write the date installed on the cartridge label.
  - b. Install filter inlet/outlet Swivel fittings on head assembly
  - c. Apply 3-4 wraps of Teflon tape onto 3/8" NPT Male threads
- 2) Screw fittings into female 3/8" NPT fittings (inlet & outlet) on head assembly until finger tight (approximately one-two turns).
  - a. Caution: Models HFC-1000 and SK-100 use white swivel fitting for inlet and black swivel fitting for outlet. Model SF-1000 use black swivel fitting with white collets for outlet.
- 3) To insure seal continue one to two more turns past finger tight.
- 4) Total number of turns from start to finish need not exceed five turns. Do not over tighten.
- 5) Position system with cartridge, head assembly (with fittings) and mounting bracket to desired location. It is recommended to mount top of bracket 23" off floor to accept our longest replacement cartridge (HFC-1000)
  - a. Allow a clearance of 2-1/2" minimum below cartridge for removing and replacement.
  - b. Allow sufficient clearance on each side for inlet/outlet fittings to swivel freely 180 degrees.
  - c. Use a dark colored marker to mark positions of screw eyelets (mounting bracket) on mounting wall.
  - d. Insert screws into wall at marks, which will hold the filter leaving enough screw head to insert mounting bracket into eyelets. (note wood screws provided)

**NOTE:** Unit can weigh up to 10 lbs. with water so be sure the wall is strong enough to hold the weight.

- e. Secure complete system by tightening the mounting bracket screws.

### Select the installation choice below for using: Existing cold water sink faucet or Separate dispensing tap !

#### INSTALLATION USING EXISTING COLD WATER SINK FAUCET

**A: Installing the water supply fittings:** Turn off cold water supply line. If cold water line does not have a shut-off valve under the sink, you should install one.

- 1) Open the cold water faucet and allow all the water to drain from line.
- 2) For cold water lines that use tubing (plastic or soft copper) follow these instructions. For flexible hose installation that uses 3/8" NPS compression connection, go to step 8. Do not complete steps 3-7.
- 3) Cut tubing a minimum of 2" above the existing cold water stop valve and removes any burrs.
- 4) Mark this length of tubing 3/4" from top as a guide for inserting into the new supply valve elbow's quick connect fitting.
- 5) Insert tubing into bottom of the new supply valve elbow to insertion line. "Commonwealth of MA Plumbing Code 248 CMR shall be adhered to. The use of saddle valves are not permitted. Please consult your local plumber."

- 6) Mark the supply line previously connecting the cold water to the faucet 3/4" from the bottom as a guide for inserting into the union fitting.
- 7) Insert this tube into one end of union connector fitting to the insertion line.
- 8) For Flexible hose installation from step 2.
- 9) Disconnect cold water line from existing 3/8" NPS stop valve
- 10) Apply 3-4 wraps of Teflon tape onto Male threads of the existing 3/8" NPS Stop valve male fitting.
- 11) Connect Faucet adapter female fitting to existing stop valve. Do not over tighten.
- 12) Push tube end of Faucet Adapter female fitting into bottom of new supply valve
- 13) Apply 3-4 wraps of Teflon tape onto male threads of the flexible hose fitting currently connected to the cold sink faucet.
- 14) Connecting this hose to the 3/8" Faucet male adapter. Do not over tighten.
- 15) Push tube end of Faucet adapter into union connector.

#### B: Connecting the water supply and existing sink faucet to Filter.

##### INLET Fitting:

- 1) Determine the length of plastic tubing (3/8" tubing 5' supplied with system) needed to connect the inlet (left side) of the filter with the supply valve.
  - a. Be sure to allow enough tubing to prevent kinking and cut the tubing squarely and remove all burrs. Place a mark 3/4" from end of tubing.
  - b. Wet tubing with water and insert into outlet of supply valve (3/4") until mark is flush with fitting.
  - c. Place a mark on the other end 3/4" from end of tubing.
  - d. Insert tubing into inlet of system fitting to insertion mark.

##### OUTLET Fitting:

- 2) Determine the length of tubing (3/8" tubing supplied) with system to make the connection from the outlet fitting of filter to 3/8" x 3/8" union fitting. A 3' minimum length is suggested to connect accessories into this line.
  - a. Place a mark 3/4" from end of tubing.
  - b. Wet tubing with water and insert into union until mark (3/4") is flush with union fitting connected to tube/hose.
- 3) Double check that the water supply is directed to the filter inlet and the outlet is directed to the sink cold faucet line.

#### Go to Placing Filter in Operation section

#### INSTALLATIONS USING SEPARATE DISPENSING TAP

**A: Installing the Water supply fittings:** Turn off cold water supply line. If cold water line does not have a shut-off valve under the sink, you should install one.

- 1) Turn on the cold water faucet and allow all the water to drain from line.
- 2) For cold water lines that use tubing (plastic or soft copper) follow these instructions. For flexible hose installation that use 3/8" NPS compression connection go to step 6. **Do not complete steps 3-5.**

- 3) Cut 1-3/8" section out of tubing a minimum of 2" above the existing cold water stop valve and removes any burrs.
- 4) Mark both sections 3/4" from the ends as a guide for inserting into the new supply valve quick connect fittings.
- 5) Insert tubing into bottom & top of this valve to insertion line.
- 6) For Flexible hose installation from step 2.
- 7) Disconnect cold water line from existing 3/8" NPS stop valve
- 8) Apply 3-4 wraps of Teflon tape onto Male threads of the existing 3/8" NPS stop valve.
- 9) Connect the faucet female adapter to existing stop valve. Do not over tighten.
- 10) Push tube end of Faucet female adapter into bottom of the new supply valve to insertion line.
- 11) Apply 3-4 wraps of Teflon tape onto male threads of Faucet male adapter.
- 12) Using the supply line flexible hose previously connecting the cold water line connect the Faucet male adapter. Do not over tighten.
- 13) Push tube end of faucet male adapter into top of the new supply valve to insertion line.

### **B: Location details for: New Separate Dispensing Tap**

- 1) This tap should be positioned with function, convenience, and appearance in mind. An adequate flat area is required to allow faucet base to rest securely. Most sinks have pre-drilled 1-3/8" or 1-1/2" diameter holes that may be used for this tap installation. If these holes cannot be used or are in an inconvenient location, it will be necessary to drill a new hole. A 1-1/4" hole is recommended.
  - a. Waterline has hole saws available for porcelain over cast iron and for stainless or fiberglass type sinks.
  - b. The stainless hole saw has also worked effectively for hard surface countertop tops which use a carbide tip for drilling.
  - c. Do not use either of these saws for marble, granite or other surfaces without consulting the manufacturer or dealer where purchased.
  - d. Drilling may result in damage to your sink or countertop and Waterline is not responsible for any such damage. Consult a plumber, countertop manufacturer or sink manufacturer for instructions.

**NOTE:** You may wish to use the existing cold water sink faucet installation section in lieu of a separate dispensing tap if this become a problem.

### **C: Mounting the Dispensing Tap**

Consult the dispensing tap instructions. **NOTE:** A 3/8" tube x 7/16" faucet adapter fitting is supplied with this system to make a quick connection to this faucet and outlet of filter using the union fitting connected to filter outlet 3/8" tubing. **NOTE:** Install the filter to thread shank on faucet.

### **D: Connecting the water supply to Filter**

#### **INLET Fitting:**

- 1) Determine the length of plastic tubing (3/8" tubing 5' supplied with system) needed to connect the inlet (left side) of the filter with the supply stop valve.
  - a. Be sure to allow enough tubing to prevent kinking and cut the tubing squarely and remove all burrs. Place a mark 3/4" from end of tubing.
  - b. Wet tubing with water and insert into outlet (side fitting) of supply valve 3/4" until mark is flush with fitting.

- c. Place a mark 3/4" from other end of tubing.
- d. Insert tubing into fitting inlet of system to insertion mark.

#### **OUTLET Fitting:**

- 1) Insert union connector into faucet adapter fitting 3/4".
- 2) Determine the length of tubing (3/8" tubing supplied) with system to make the connection from the outlet fitting of filter to 3/8" union connection which is also connected to the faucet adapter fitting on bottom of dispensing tap. A 3' minimum length is suggested to connect accessories to this line.
  - a. Place a mark 3/4" from end of tubing.
  - b. Wet tubing with water and insert into union connector until mark (3/4") is flush with this fitting.
- 3) Double check that the water supply is directed to the filter inlet and the outlet is directed to the sink cold faucet line.

### **PLACING FILTER IN OPERATION**

Turn on water supply valve and check for leaks.

- 1) Leave the cold water faucet at the sink turned off to allow system to come up to pressure. Recheck for leaks after 3 minutes.
- 2) Turn on filter water dispensing faucet and allow water to run until clear. Normally 2-3 minutes is adequate.

### **CONNECTING ADDITIONAL WATER USING APPLIANCES TO THIS FILTERING SYSTEM**

You can readily connect your refrigerator ice / water dispensing system to this filter. Connect a 3/8" reducing tee in the line between the filter and faucet (see instruction example)

- 1) If your refrigerator is equipped with a built-in filter already consult your instruction manual for by-pass instructions.

There will be no need to use both and one does not want to leave in the refrigerator filter without replacing it periodically so you will want to bypass it at this time.

- 2) Multiple tees can be inserted to service other appliances and locations. Consult the appliance instructions for inlet tube size!
  - a. Built-in coffee makers
  - b. Instant Hot taps/under counter chillers
  - c. Prep sink, other sink locations that you can conveniently run a 3/8" line to service the existing sink faucet

**Replacement Cartridge Programs:** Waterline offers several programs that are designed to insure your system is properly maintained.

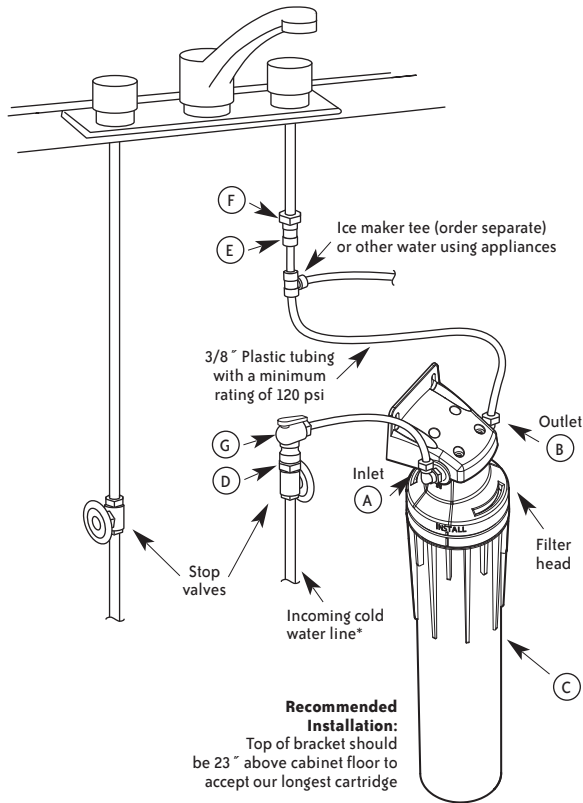
**RCRS:** Replacement Cartridge Reminder Service, You can enroll to be notified every 11 months that it is time to change your cartridge. Go to [www.waterlinetechnology.com](http://www.waterlinetechnology.com) click on Cartridge Replacement icon and then click "Register your product" icon to enroll.

**ACDP:** Automatic Cartridge Delivery Program, Waterline will send you a new replacement cartridge of your choice every 12 months.
 

- i. Save 15% on your cartridge under this program
- ii. Lock in the current list price for up to 3 years
- iii. Automatically enrolled in our extended lifetime warranty (ELW)
- iv. Go to [www.waterlinetechnology.com](http://www.waterlinetechnology.com) click on Cartridge Replacement icon and then select to enroll on line or download the enrollment form.

**You may also call our office at 1-800-522-3949 to enroll in either program.**

**Connection to Existing  
Cold Sink Faucet**

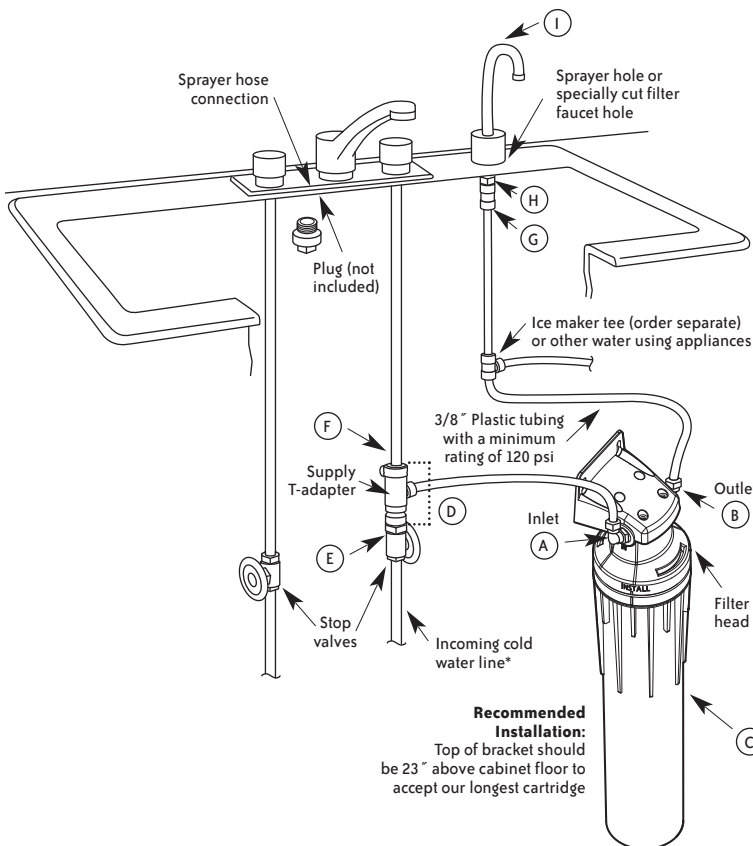


**Parts List: These parts included in each system**

Key	PN#	Description	Qty.
A	Q0620616	Inlet Fitting	(1) 3/8" x 3/8" Male NPTF swivel elbow, white
B	Q0620616-B	Outlet Fitting	(1) 3/8" x 3/8" Male NPTF swivel elbow, black with 1.5 gpm flow restricter for HFC-1000 and SK-100
B	Q0620616-B1*	Outlet Fitting	(1) 3/8" x 3/8" Male NPTF swivel elbow, black with .75 gpm flow restricter for SF-1000
C	Misc	AlwaysFresh™ System	(1)
D	AW6TFA9-MG	Tube Faucet Adapter female	(1) 3/8" tube x 3/8" compression
E	R0620626	Union Connector	(1) 3/8" tube x 3/8" tube
F	AW6TAF9-MG	Tube Faucet Adapter male	(1) 3/8" tube x 3/8" compression
G	PP6VEU6-MG	Valve union elbow w/shut off	(1) 3/8" tube x 3/8" tube elbow ball valve
MISC	Tubing	(5') 3/8", .04" wall thickness	

\* B1 Outlet Fitting for SF-1000 only

**Connection to Separate  
Dispensing Tap**



**Parts List Order AP-IK-SDT-38**

Key	PN#	Description	Qty.
A	Q0620616	Inlet Fitting	(1) 3/8" x 3/8" Male NPTF swivel elbow, white
B	Q0620616-B	Outlet Fitting	(1) 3/8" x 3/8" Male NPTF swivel elbow, black with 1.5 gpm flow restricter for HFC-1000 and SK-100
B	Q0620616-B1*	Outlet Fitting	(1) 3/8" x 3/8" Male NPTF swivel elbow, black with .75 gpm flow restricter for SF-1000
C	Misc	AlwaysFresh™ System	(1)
D**	PP6VTU6-MG	Water Supply Valve w/shut off	(1) 3/8" tube or compression w/ball valve
E**	AW6TFA9-MG	Tube Faucet Adapter female	(1) 3/8" tube or compression
F**	AW6TAF9-MG	Tube Faucet Adapter male	(1) 3/8" tube or compression
G	RO6260626	Union Connector	(1) 3/8" x 3/8"
H**	AW6TFA7-MG	Tube Faucet Adapter female	(1) 7/16" x 24 threads x 3/8" Fitting supplied for dispensing faucet
I	MISC	Dispensing Faucet	- Order separately

\* B1 Outlet Fitting for SF-1000 only

\*\*AP-IK-SDT-38 installation kit required in addition to standard parts with system

Use a connection that complies with state & local plumbing codes. \* Installation kits include a shut-off valve.

\*Commonwealth of MA Plumbing Code 248 CMR shall be adhered to. The use of saddle valves are not permitted. Please consult your local plumber.\*

**Connecting to Additional  
Cold Sink Faucet**

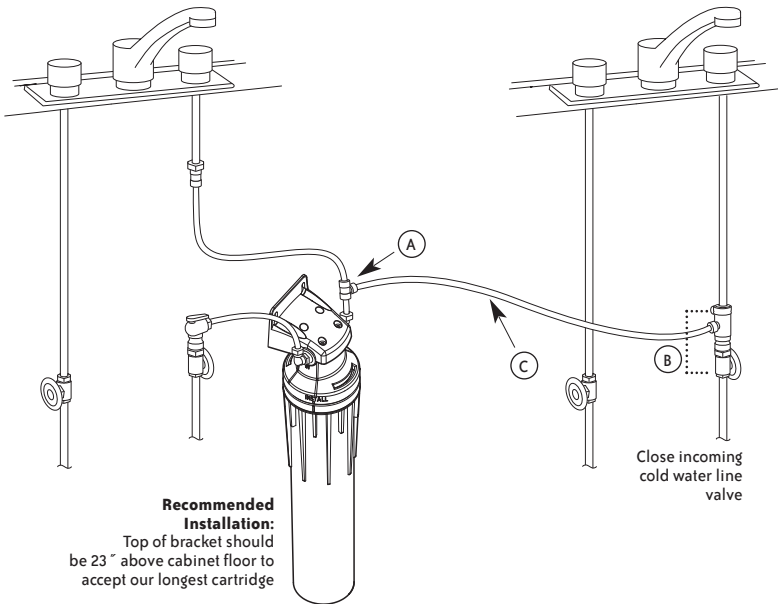
**Parts List : order AP-IK-ACSF-38**

Key	PN#	Description
A**	V0620626	Tee Union 3/8" x 3/8" x 3/8" (tube union)
B**	WSV6-KIT	Water Supply Valve w/shut off*
C	Tubing	3/8" Plastic Tube or (.04" wall thickness) or 3/8" Copper Tubing. Field Measurement

**NOTE:** Follow instruction for connecting the water supply to filter on page 3 for WSVV6-KIT.

\* Includes: (1) PP6VTU6-MG water supply valve with shut off  
(1) AW6TFA9-MG Tube faucet adapter female  
(1) AW6TAF9-MG Tube faucet adapter male

\*\*AP-IK-ACSF-38 installation kit required in addition to standard parts with system



**Connecting to Additional Water Using  
Appliances such as:**

- Refrigerator Ice Dispenser**
- Undersink Chiller**
- Instant Hot Tap**
- Built-in Coffee**

**NOTE:** Review/use installation manual of other water using appliances to insure proper installation is used. Waterline is not responsible in any way for the proper operation of additional water using appliances.

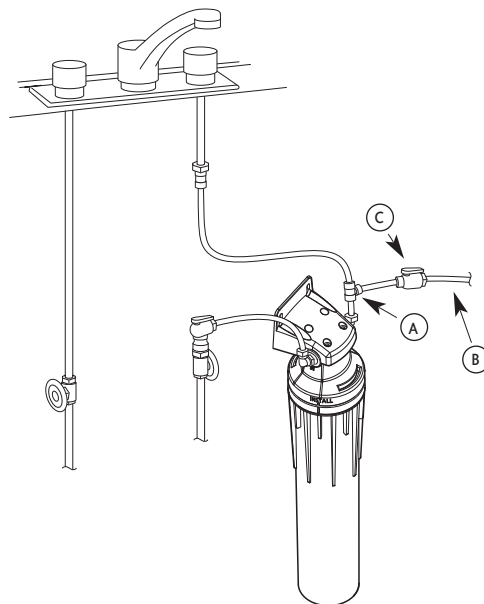
**Additional Parts Required**

**For 3/8" line required to service appliance: order AP-IK-CP-38**

Key	PN#	Description
A	V0620626	Tee Union 3/8" x 3/8" x 3/8" (tube union)
B	MISC	3/8" Plastic Tube or (.04" wall thickness) or 3/8" Copper Tubing. Field Measurement
C	PP6VUC6-MG	In-line ball valve to provide shut off valve for lines leading to other water using appliances. (3/8" x 3/8")

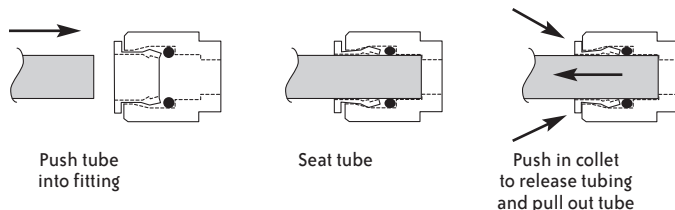
**For 1/4" line required to service appliance: order AP-IK-CP-14**

Key	PN#	Description
A	V0620426	Tee Union Reducing, 3/8" x 3/8" x 1/4" (tube)
B	MISC	1/4" Plastic Tube or (.04" wall thickness) or 1/4" Copper Tubing. Field Measurement
C	PP4VUC4-MG	In-line ball valve to provide shut off valve for lines leading to other water using appliances. (1/4" x 1/4")



**Miscellaneous**

**Inserting plastic or copper tubing into quick connection fittings:**

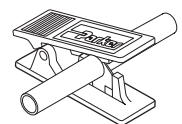


**Suggested tools:**

Screw Driver (phillips), Crescent Wrench, Ruler, Tube Cutter, Teflon® Tape

**Tubing details:**

We recommend Parker fittings and tubing for installation. Soft plastic tubing requires plastic inserts which we do not provide. We suggest that if using other than Parker Tubing that it be a minimum of .04" wall thickness and be designed to seal on an O-Ring type fitting.



Plastic Tube Cutter  
PN# PTC 001

\*Commonwealth of MA Plumbing Code 248 CMR shall be adhered to.

The use of saddle valves are not permitted. Please consult your local plumber."

### Drinking Water Systems

Waterline Technology warrants this product to be free of defects in workmanship or materials for 12 months from date of purchase or 24 months from date of manufacture. This warranty extends only to the original consumer and does not cover products which malfunction due to neglect or unauthorized modification. Warranty does not cover in-house labor or other labor charges.

The unit must be used in operating conditions that conform to Waterline's recommended design guidelines. This warranty will not apply if the unit has been modified, repaired or altered by someone not authorized by Waterline. We are not responsible for damage caused by accident, fire, flood, freezing, Act of God, misuse, misapplication, neglect, oxidizing agents or operation contrary to printed instructions, or by the use of accessories or components not recommended in our installation guide.

System is not warranted to perform on non-potable water source, or a water source which does not meet the conditions for use described in the installation guide or performance data sheet for these products. Water characteristics can vary seasonally or over a period of time. Waterline recommends having your water tested from time to time for any health related type contaminant that you are concerned with or that may be in your water supply before or after this unit.

OUR OBLIGATIONS UNDER THIS WARRANTY ARE LIMITED TO THE REPAIR OR REPLACEMENT (AT WATERLINE'S DISCRETION) OF THE FAILED PARTS OF THE SYSTEM, AND WE ASSUME NO LIABILITY WHATSOEVER FOR DIRECT, INDIRECT, INCIDENTAL, CONSEQUENTIAL, SPECIAL, GENERAL OR OTHER DAMAGES.

#### To obtain warranty performance:

- A) Call Technical Service at the number listed below to obtain a RGA (Return Goods Authorization Number). No returns accepted without RGA number and Waterline reserves the right to dispose of any items returned without RGA after 30 days.
- B) Return this product with the **RGA number clearly marked on the carton** to Waterline Technology, transportation or mail prepaid, with an attached statement giving the date and place of purchase, the nature of the defect and your return address, and if possible your telephone number.

- C) Upon receipt, Waterline Technology will examine your claim. If this warranty applies, Waterline Technology, at its option will either replace or repair this product.
- D) Please send all returns or warranty questions to:  
Waterline Technology 961 N. Main St., Mansfield, OH 44903 via UPS, or PO Box 396, Mansfield, OH 44901 via US Mail.

This Warranty is given in lieu of all other warranties expressed or implied, written or oral. No agent, dealer, or other person is authorized to give any warranties on behalf of Waterline Technology. NOTE: Some states do not allow limitation on how long an implied warranty lasts so the above limitation may not apply to you. Similarly some states do not allow the exclusion or limitation of consequential or incidental damages so the above limitation or exclusions may not apply to you. This warranty gives you special legal rights. You may also have other rights which may vary from state to state. Proof of purchase must accompany all merchandise returns if more than 24 months from date of Manufacture.

### Extended Lifetime Warranty

Your AlwaysFresh system limited warranty can be extended one year if system is maintained per instruction manual. Simply change your AlwaysFresh system cartridge at least annually as recommended by Waterline Technology and the balance of your system warranty will be extended for 12 months with each cartridge change. Waterline suggests that you replace your cartridge at end of life or one year whichever occurs first.

Proof of purchase under this extended warranty is your responsibility.

If the product has been registered (at [www.waterlinetechnology.com](http://www.waterlinetechnology.com)), Waterline will mail you a letter every 11 months to remind you it's time to change your cartridge, and if you purchase directly from Waterline they will update your records accordingly. **ACDP Customers proof of purchase is updated automatically with each cartridge delivery.** This extended warranty covers the permanent head assembly, fittings and dispensing faucet (if purchased from Waterline) Faucet warranty may not qualify and parts covered are limited to replacement repair item and not the faucet or finish. In the event any of these parts fail within the extended warranty period Waterline will repair or replace the parts at no charge. **NOTE:** Parts only no labor warranty is included.



Waterline Technology®  
961 N. Main St., Ste 102 • P.O. Box 396  
Mansfield, OH 44903

[www.waterlinetechnology.com](http://www.waterlinetechnology.com) • email: [info@waterlinetechnology.com](mailto:info@waterlinetechnology.com)

Phone: 1-800-522-3949 • Fax: 419-529-8484

Form # WL0909-IM