

Model HF-PWF-S



High Flow (1.67 gpm) optional 3.34 or 5.0 gpm flow (see back)

Commercial Problem Water Filtration System including Chloramine and Scale - "Commercial use only"

Exclusive Patented Quick Change Cartridge for our high flow filter head assembly

- 1/4 turn quick change & Sanitary sealed cartridge

Tested to

- NSF/ANSI Std 42
 - Aesthetic Chlorine
 - Aesthetic Chloramines
 - Taste/Odors
- CSA B483.1

Uniquely Designed Dual Media Filter for Problem Water!
 Reduction of: Chloramines, Iron, Scale, H₂S, Heavy Metals & Algae!
 KDF 85 & GAC downflow design provides high capacity and high performance.

Add our HF-20000 downstream for fine Filtration and Cysts control!
 Adsorption - Specialty formulated High Capacity carbon

Filter Protection -KDF 85 provides anti-microbial protection for life of cartridge



Every HFH-38QC High flow Exclusive Quick Change filter head is complete with built in quick connect inserts (inlet and outlet) to connect 3/8" tubing with mounting bracket installed.

Filter head has been Tested for material safety and structural integrity by WQA

Caution: Using tubing not certified for food and beverage applications during installation will void the warranty!

This Cartridge is designed to fit our Exclusive Filter Heads & Everpure QL1, QL2, QL3, QL3B, QC71 filter heads!



Replacement cartridge
 PN# RC-HF-PWF-S



Typical Applications: Drink stations, ice, espresso, coffee makers, fountain beverage, steamers, proofers etc.

Series Filter Head Designs

Waterline Technology's *i-Select*[™] point of use filtration program can provide a treatment train to allow you to customize a treatment solution for your specific ingredient water needs. Just select any of the following cartridges with our Twin or Triple Series Filter Head assemblies and install as specified!



Model #	Description
CMF417-2.5	Microbiological purifier cartridge for microbiological issues facing most any water supply.
HF-20000	Cysts, Lead, Chlorine, 1.0 micron fine filtration
HF-20000-S	Cysts, Lead, Chlorine, 1.0 micron fine filtration Plus Scale Control
SC12-RO-150	TFC Membrane, Mineral reduction home or office 150 gallon per day



©2017 Waterline Technology[®]
 Protected under patents 6,695,891, 6,926,826, 6,977,006, 7,172,693, 7,476,314
 and other Patents Pending
 Manufactured at EPA Establishment Number 070932-ID-001

Model HF-PWF-S

Commercial Problem Water Filtration System including Chloramine and Scale - "Commercial use only"



Operating Specifications

Min/Max working pressure: 30psi (2.1 bar)/125 psi (8.6 bar), non shock
Temperature: 40-100° F (4.4-38° C)
Service flow rate 1.67 gpm (6.35 Lpm)
Rated Service Capacity: 6-12 Months ~6000 gallons
Replace cartridge every 6-12 months for optimum performance.

Product performance is dependent upon incoming water conditions. Do not use with water that is microbiologically unsafe or of unknown quality without adequate disinfection before or after the system.

Systems certified for cyst reduction may be used on disinfected waters that may contain filterable cysts.

See performance data sheet for individual contaminant's and reduction performance.

The contaminant's or other substances removed or reduced by this water filter device are not necessarily in your water.

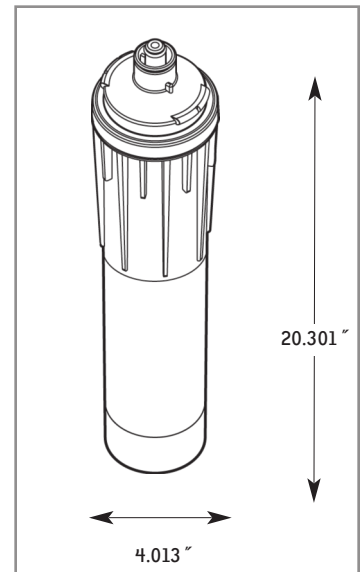
Performance

This system tested to CSA B483.1 and NSF/ANSI 42 for specific performance claims as verified and substantiated by test data :

Standard 42: Aesthetic Effects
Chemical Unit
Taste and Odor Reduction and
Aesthetic Chlorine Reduction
Aesthetic Chloramine Reduction
Taste/Odors

Independently tested for

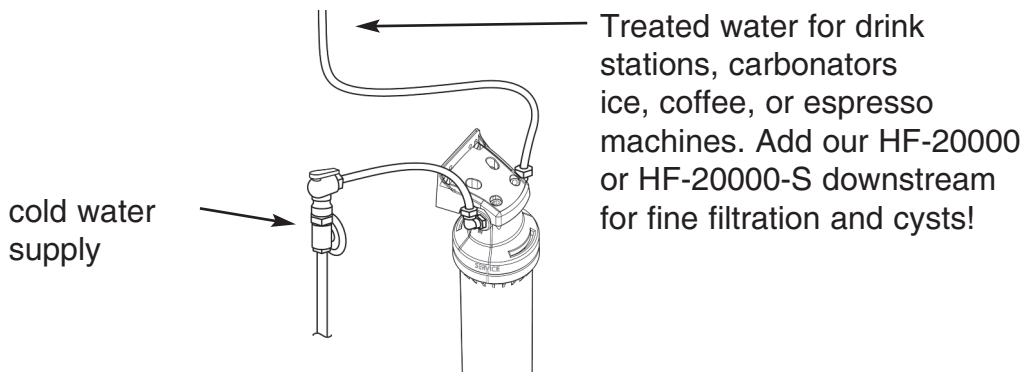
Iron
H2S (Hydrogen Sulfide)
Algae
Heavy Metals
Scale Control



This cartridge is designed to fit Alwaysfresh high flow filter head Models HFH-38-NPT, HFH-38-QC or HFHV-38-QC, HFH-38QC-SS-xx and Everpure QL1, QL2, QL3, QL3B, QC7I filter heads.

Typical Installation Options:

Cold water only for supply shown with isolation valve on inlet line.



Warranty:

12 months from date of purchase or 24 months from date of manufacture. See warranty sheet for details

Now available for customers demanding > 1.67 gpm, (drink stations, carbonators, ice, coffee, and espresso machines)

Use the Twin or Triple Filter parallel flow Heads to increase flow rate without reducing the performance.

Twin Filter Head Parallel Flow 3.34 gpm

PN#HFH-38QC-SS-2P

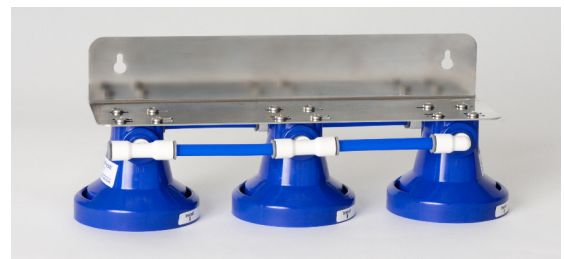
Dimension rough in 13"w x 5.25" h x 4" d



Triple Filter Head Parallel Flow 5.0 gpm

PN# HFH-38QC-SS-3P

Dimension rough in 17.5"w x 5.25" h x 4" d



Waterline Technology®
961 N. Main St., Ste 102 • P.O. Box 396
Mansfield, OH 44903

Phone: 419-529-3949 • Sales/Technical Service: 1-800-522-3949

Fax: 419-529-8484 • www.waterlinetechnology.com

Form# HF-PWF-S specs