

Model HF-20000

High Flow (1.67 gpm) optional 3.34 or 5.0 gpm flow (see back)
Commercial Filtration System - "Commercial use only"



Aesthetic Chlorine/Taste /Odors + Cysts
Class I filtration 0.5 - 1.0 micron*

Exclusive Patented Quick Change Cartridge for our high flow filter head assembly

- 1/4 turn quick change cartridge
- Sanitary sealed cartridge

Adsorption -Specialty formulated High Capacity carbon with over 550,000 square meters of adsorption surface area for chlorine, taste/odors, cysts and 1 micron filtration*.

Filter Protection -Silver Zeolite technology blended throughout the filter using ion technology for efficacy and longevity

Capacity: 20,000 gallons

*claim not certified by WQA



Replacement cartridge
PN# RC-HF-20000



Made in the USA



Every HFH-38QC High flow Exclusive Quick Change filter head is complete with built in quick connect inserts (inlet and outlet) to connect 3/8" tubing with mounting bracket installed.

Filter head has been Tested for material safety and structural integrity by WQA

Caution: Using tubing not certified for food and beverage applications during installation will void the warranty!
This Cartridge is designed to fit our Exclusive Filter Heads & Everpure QL1, QL2, QL3, QL3B, QC71 filter heads!

Typical Applications: Drink stations, ice, espresso, coffee makers, fountain beverage
Series Filter Head Designs

Waterline Technology's *i-Select*[™] point of use filtration program can provide a treatment train to allow you to customize a treatment solution for your specific ingredient water needs. Just select any of the following cartridges with our Twin or Triple Series Filter Head assemblies and install as specified!



Model #	Description
CMF417-2.5	Microbiological purifier cartridge for microbiological issues facing most any water supply.
HF-PWF-S	Aesthetic Chlorine, Chloramines, Iron, H2S, Heavy Metals, Algae & more
SC12-RO-150	TFC Membrane, Mineral reduction home or office 150 gallon per day



Waterline Technology[®]
Protected under patents 6,695,891, 6,926,826, 6,977,006,
7,172,693, 7,476,314 and other Patents Pending
Manufactured at EPA Establishment Number 070932-ID-001

Model HF-20000

High Flow (1.67 gpm) optional 3.34 or 5.0 gpm flow (see below)
Commercial Filtration System for office, business & more



Operating Specifications

Min/Max working pressure: 30psi (2.1 bar)/125 psi (8.6 bar), non shock
Temperature: 35-100° F (2-38° C)
Service flow rate 1.67 gpm (6.35 Lpm)
Rated Service Capacity: 20,000 gallons
Replace cartridge every 12 months for optimum performance.
"The end-user should not attempt to regenerate and reuse the spent media for this product"

Product performance is dependent upon incoming water conditions. Do not use with water that is microbiologically unsafe or of unknown quality without adequate disinfection before or after the system.

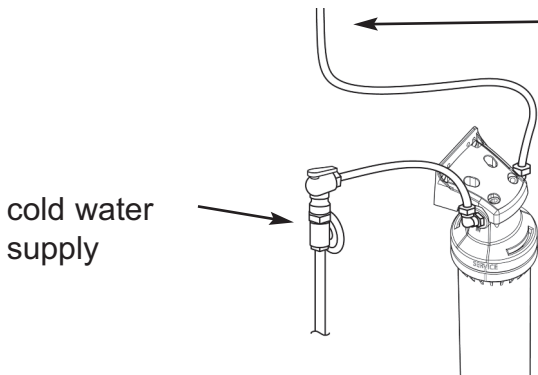
Systems certified for cyst reduction may be used on disinfected waters that may contain filterable cysts.

See performance data sheet for individual contaminant's and reduction performance.

The contaminant's or other substances removed or reduced by this water filter device are not necessarily in your water.

Typical Installation Options:

Cold water only for supply shown with isolation valve on inlet line.



Treated water for drink stations, carbonators, ice, coffee, or espresso machines. Add our HF-PWF-S for Chloramine reduction for Steamers/proofer and more.

Certified Performance



This system certified by WQA to CSA B483.1, NSF/ANSI 42, 53

C US

This system certified by IAPMO R & T to CSA B483.1, NSF/ANSI 42, 53



For specific performance claims as verified and substantiated by test data :

Standard 42: Aesthetic Effects

Chemical Unit
Taste and Odor Reduction and
Aesthetic Chlorine Reduction Taste/Odors

Standard 53: Health Effects

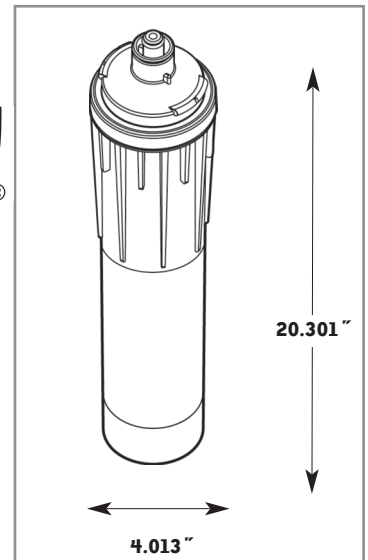
Cyst Reduction

Certified by WQA to WQA/ASPE/ANSI S-803 Sustainability



Independently tested for:

Particulate Reduction Class 1 particles .5 micron and larger in size
Scale Control



This cartridge is designed to fit Alwaysfresh high flow filter head Models HFH-38-NPT, HFH-38-QC or HFHV-38-QC, HFH-38QC-SS-xx and Everpure QL1, QL2, QL3, QL3B, QC71 filter heads.

Warranty:

12 months from date of purchase or 24 months from date of manufacture.
See warranty sheet for details

Now available for customers demanding > 1.67 gpm, (drink stations, carbonators, ice, coffee, and espresso machines)

Use the Twin or Triple Filter parallel flow Heads to increase flow rate without reducing the performance.

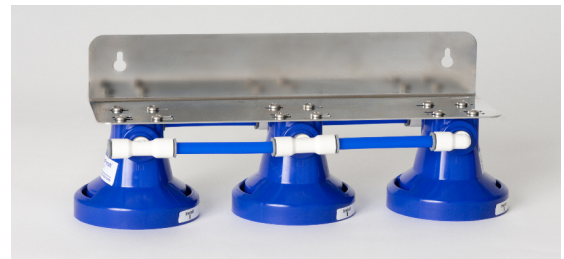
Twin Filter Head Parallel Flow 3.34 gpm PN#HFH-38QC-SS-2P

Dimension rough in 13"w x 5.25" h x 4" d



Triple Filter Head Parallel Flow 5.0 gpm PN# HFH-38QC-SS-3P

Dimension rough in 17.5"w x 5.25" h x 4" d



Waterline Technology®
961 N. Main St., Ste 102 • P.O. Box 396
Mansfield, OH 44903

Phone: 419-529-3949 • Sales/Technical Service: 1-800-522-3949
Fax: 419-529-8484 • www.waterlinetechnology.com

Form# HF-20000 2019