

Model SF- 1000

Standard Flow (0.75gpm)



"This system was evaluated to a test capacity of 2000 gallons, 200% of the rated capacity of 1000 gallons, to allow for a considerable safety margin"

Chemical Reduction System for your home, office and business

5 Stage Exclusive High Flow Design

Stage 1: Built-in 5.0 Micron Pre-Filter - Wrapped completely around the carbon block to filter dirt, sediment, filterable iron etc for increased cartridge life

Stage 2: Fine Filtration- Thick Compression molded powdered activated carbon block filters Class i reduction of particles >0.5 Micron

Stage 3: Adsorption- Specially formulated High Capacity carbon with over 650,000 square meters of adsorption surface area

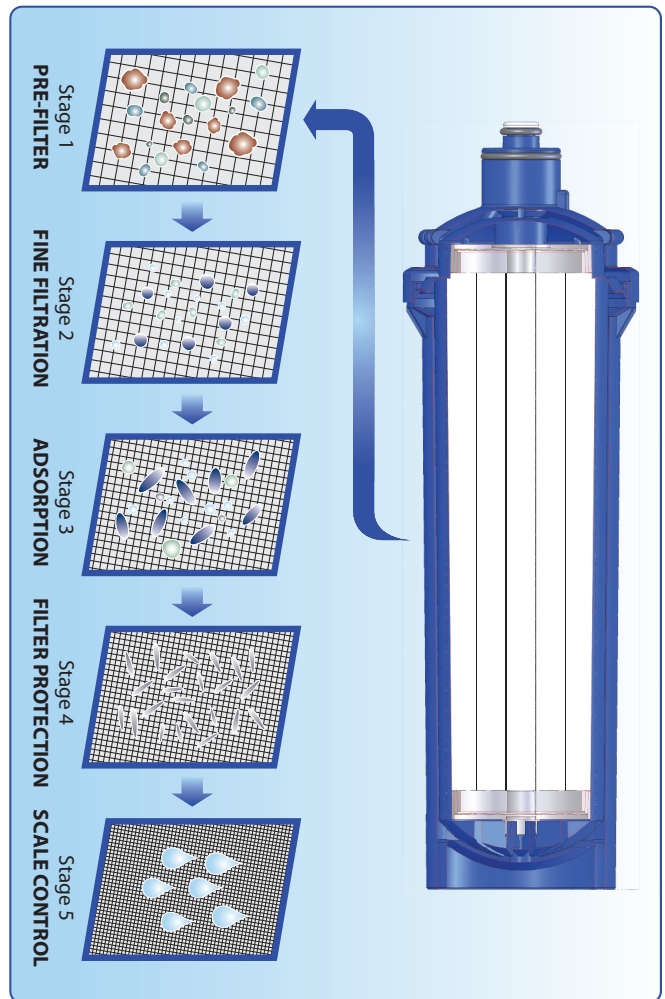
Stage 4: Filter Protection - Silver Zeolite technology blended throughout the filter for efficacy & longevity



Stage 5: Scale Control*- Polyphosphate spheres are slowly released to provide protection against hard water scale build up in water using appliances.

*claim not certified by WQA

Replacement cartridge PN#RC-SF-1000



Certified Performance

This system is certified by WQA & IAPMO R&T for conditions of use, health claims and replacement cartridge see the performance data sheet.

California Certification Number 3329

Iowa Registration Number 1516



Exclusive Patented Quick Change Cartridge

- Inlet & outlet ports sealed w/O-ring technology
- Sanitary Sealed quick change cartridge 1/4 turn, no tools required

Complete Installation Kit

- Undersink to existing cold sink faucet (all quick connections)

Lead Free Design

- Virgin polypropylene materials and tubing - no lead

Natural Minerals not filtered out of water!



Made in the USA



Protected under patents 6,695,891, 6,926,826, 6,977,006, 7,172,693, 7,476,314 and other Patents Pending.

Manufactured at EPA Establishment Number 070932-ID-001

Model SF-1000

High Flow (0.75 gpm)

Chemical Reduction System for your home, office and business



Certified Performance

This system certified by WQA to CSA B483.1, NSF/ANSI 42 & 53



This system certified by IAPMO R&T to CSA B483.1, NSF/ANSI 42 & 53 & NSF P473



For Specific performance claims as verified and substantiated by test data

NSF/ANSI Standard 42: Aesthetic Effects

Chemical Unit

Taste and Odor

Aesthetic Chlorine

Mechanical Filtration Unit

Particulate Reduction Class I, 0.5 micron

NSF/ANSI Standard 53: Health Effects

Chemical Reduction Unit

Lead

Mechanical Reduction Unit

Turbidity

Cyst

WQA/ASPE/ANSI S-803

Sustainability



* Claim not certified by WQA

Operating Specifications

Min/Max working pressure:

30 psi (2.1 bar)/125 psi (8.6 bar), nonshock

Temperature: 35-100° F (2-38° C)

Service flow rate .75 gpm (2.85 Lpm)

Rated Service Capacity: 1000 gallons (3800 L)NOTE

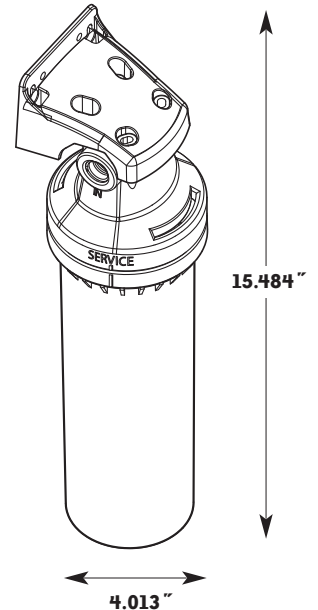
Performance Tested to NSF/ANSI 53 for:

Lead reduction to 1585 gallons by the WQA Gold Seal laboratory

"The end-user should not attempt to regenerate and reuse spent media from this product"

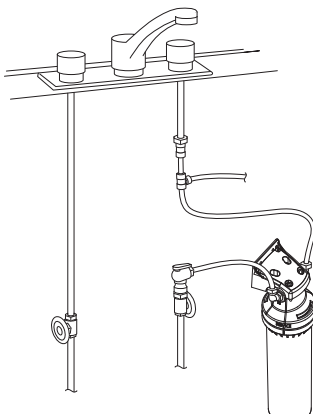
Product performance is dependent upon incoming water conditions. Do not use with water that is microbiologically unsafe or of unknown quality without adequate disinfection before or after the system. Systems certified for cyst reduction may be used on disinfected waters that may contain filterable cysts.

The contaminants or other substances removed or reduced by this water filter device are not necessarily in your water.

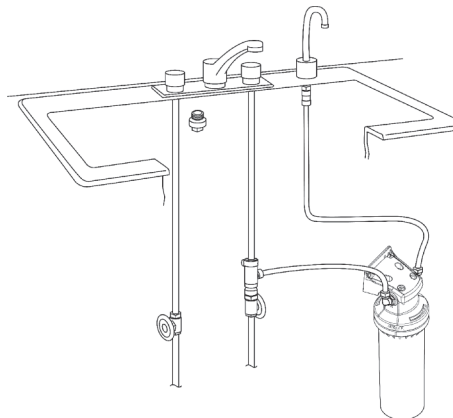


Typical Installation Options:

Existing Cold Faucet Installation with Existing Cold Sink Faucet Filtered



Undersink Separate Faucet Installation; Existing Cold Sink Faucet Non-Filtered



Warranty:

12 months from date of purchase or 24 months from date of manufacture. See warranty sheet for details

Note: Separate faucet recommended for installation at kitchen sink for single filter head.

This system is a great addition to any home, office or business. Its flow rate is 1.5 x the competition without sacrificing performance. The capacity for the average family of 4-6 is a 1 Year Supply of drinking water.

Ideal system for homes that do not want to add a separate dispensing for the bath or bar area.

Connecting to the existing cold sink faucet saves cost of purchasing a separate dispensing tap, installation time & design issues without the need to drill holes in your countertop.

Great for bath or bar areas and for point of use water cooler filtration



Waterline Technology®
961 N. Main St., Ste 102 • P.O. Box 396
Mansfield, OH 44903

Phone: 419-529-3949 • Technical Service: 1-800-522-3949
Fax: 419-529-8484 • www.waterlinetechnology.com

form SF1000-2019