

Glacier

Point of Use Water Cooler

Dual temperature "Cook n' Cold n' & Cold n' Hot"

Available in White or Black

Always Fresh

Water the way you want it



Expansion Chamber
Reduces water hammer
HOT Tank
304 Stainless
Automatic thermo stat control
450 watt external mica- heater band
ON/OFF switch

COLD Tank
Pressurized
304 Stainless
1 gallon per hour
Preset at 43-50 F
Quick adjustment on back of unit
ON/OFF switch
Compressor
Hermetically Sealed reciprocating
110-115 vac/60hz

Child proof Hot faucet



Removable drip tray



On/Off Hot Switch

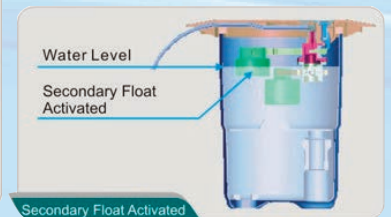
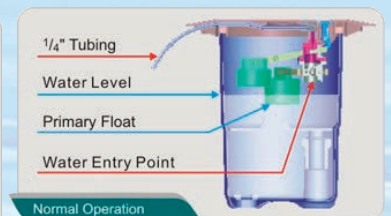


Point of Use Kit includes:

- Top Cover
- Air filter
- Reset Switch
- Dual float assembly
- Filter mounting bracket
- Filtration Mounting

- Use cooler base
- Mount on back of cooler*

*(order AP-2015C Valve head w/special cooler bracket)



Model GPOU-SF-1000

Glacier Point of Use Water Cooler with Water Filtration System Specifications

Filtration

5 Stage Exclusive Design

Stage 1: Built-in Pre-Filter
Filters 5 micron for dirt / sediment/filterable iron etc.

Stage 2: Fine Filtration
.5 Micron (1/50,000 of an inch) for reduction of color, turbidity, lead, protozoan cysts and other particulates including filterable iron.

Stage 3: Adsorption
Specially formulated High Capacity carbon with nearly 350,000 square meters of adsorption surface area for superior chemical reduction, dissolved lead, and taste, odor caused from chlorine.

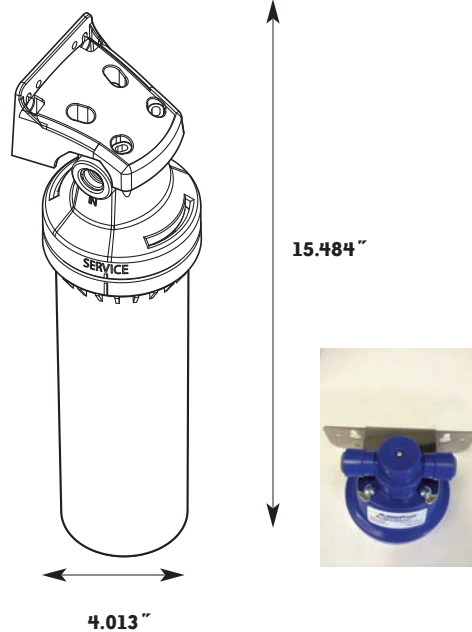
Stage 4: Filter Protection Silver Zeolite technology blended throughout the filter using Ion exchange to "Manage" the silver release giving optimum efficacy and longevity.
EPA Registered, FDA listed and NSF-certified for food and water uses.



Stage 5: Scale Control*
Polyphosphate spheres slow release provides protection against hard water scale for water using appliances.

*Claim not certified by WQA

Made in U.S. A.



Warranty:

Filter/cooler: 12 months from date of purchase.

Compressor: 60 months from date of purchase
see warranties for details.

Certified Performance

The system conforms to NSF/ANSI 42 and 53 for specific performance claims as verified and substantiated by test data :

Standard 42: Aesthetic Effects
Chemical Unit
Taste and Odor Reduction and
Aesthetic Chlorine Reduction
Mechanical Filtration Unit
Particulate Reduction Class 1
96.7% reduction of particles .5 micron and larger in size

Standard 53: Health Effects
Chemical Reduction Unit
Lead Reduction

Mechanical Filtration Unit
Turbidity Reduction
Cyst Reduction



C US

Operating Specifications

Min/Max working pressure: 10 psi (0.7 bar)/125 psi (8.6 bar), nonshock
Temperature: 35-100° F (2-38° C)
Service flow rate .75 gpm (2.85 Lpm)
Rated Service Capacity: 1000 gallons (3800 L)

Product performance is dependent upon incoming water conditions. Do not use with water that is microbiologically unsafe or of unknown quality without adequate disinfection before or after the system. Systems certified for cyst reduction may be used on disinfected waters that may contain filterable cysts.

The contaminants or other substances removed or reduced by this water filter device are not necessarily in your water.

Water Cooler - UL-C approved

Hot Water: Gravity fed
304 stainless steel with 1/2 gallon capacity
450 watt external mica-heater band
Automatic thermostat control (167-197 F)
ON/OFF Switch on back panel

Cold Water: Gravity
304 stainless steel with .84 gallon capacity
hermetically sealed compressor 110-115vac/60Hz
Production capacity 0.9 gal/hour, R134a (CFC Free)
Preset thermostat 45-50 F , Refrigerant charge 65g
Manual adjustment on back panel. On/OFF Switch on back panel

Gross Weight / Dimensions

Unit Cooler only 29# each , Skid quantity = 9 per skid
Base w/ SF1000 Installed 13# each
Base only 10#
12.2"(W) X 12.4"(D) X 38.6"(H)

Optional Sanitizing Cartridge

Fits into filter head assembly for quick sanitizing of system. Reusable (PN#RC-SC-100)

Fittings: All fittings are 1/4" tube size
quick connection type NSF certified for potable water usage.

Now Energy Star Rated

Water Cooler is manufactured by:



Waterline Technology®
961 N. Main St., Ste 102 • P.O. Box 396
Mansfield, OH 44903
Phone: 419-529-3949 • Technical Service: 1-800-522-3949 www.waterlinetechnology.com

Crystal Mountain Products Limited
18136-102 Ave, Edmonton, Alberta, Canada T5S157
Phone: 1-800-878-6422 www.crystalcoolers.com