

Fulflo® EH Single Cartridge Filter Vessel

304 stainless steel, commercial
(non ASME code) design

The Fulflo EH non-code single cartridge filter vessels provide economical filtration of a wide variety of liquids in a lightweight, small profile, clamp closure design.

The EH vessels accept a single 10" or 20" long, double open end (DOE) or 222 single open end (SOE) filter cartridge. A 226 option is also available.

These vessels are manufactured from polished 304 stainless steel and rated for 100 psi (6.9 bar).



Contact Information

Parker Hannifin Corporation
domnick hunter
Process Filtration - North America
2340 Eastman Avenue
Oxnard, California, USA 93030

toll free +1 877 784 2234
phone +1 805 604 3400
fax +1 805 604 3401
dhpsales.na@parker.com

www.parker.com/processfiltration

Benefits

- Convertible design allows for the use of both DOE and 222 SOE cartridges. A 226 option is also available
- Clamped o-ring closure seal provides quick and positive seal
- In-line 1" FNPT threaded pipe connections for easy installation
- Head mounting kit included
- EPDM seals are standard with other material options available

Applications

- Potable Water
- Lubricants
- Process Water
- Coolants
- Edible Oils
- Cutting oils
- Coatings
- Solvents

Fulflo® EH Single-Cartridge Filter Vessel

Number of Cartridges

(1) x 10" or 20" lg x 2.75" Max OD

Connection sizes

1" NPT inlet & outlet
1/4" NPT vent & drain

Typical aqueous flow	
Length Code	Capacity (gpm)
S	5
D	10

Cartridge Configurations	
222 O-ring SOE 226 O-ring SOE	PP spring closed end**
	Fin**
	Flat*
DOE	Standard

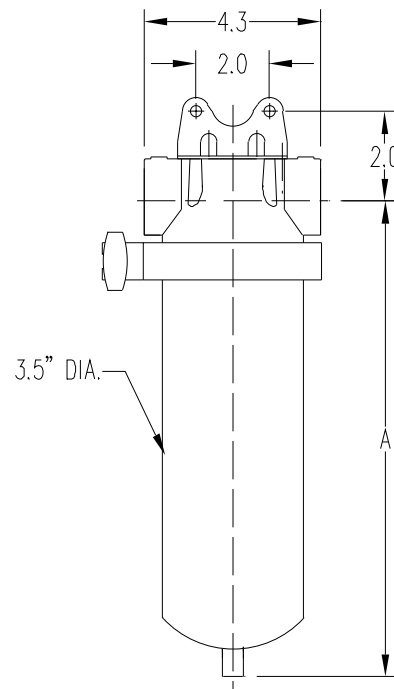
*Not recommended for 222 style

**Not required for 226 style

O-ring Temperature Guide	
Material	Max. Temp.
Nitrile (Buna-N)	250°F (121°C)
EPDM (EPR)*	300°F (149°C)
FKM (Viton®)	400°F (204°C)

*EPDM o-ring is standard.

Material of Construction	Max. Allowable Pressure (MAP) (psi @ MAT °F)	Max. Allowable Temp. (MAT) (°F @ MAP psi)
304 Stainless	100 psi (6.9 bar)	300°F (149°C)



Length Code	A*	Weight (lbs)
S	14	9
D	24	11

*Add 1" for 226

Ordering Information

EH	01							
Material of Construction		Cartridge Qty.	Element Length		Inlet/Outlet Connection	Cartridge Style		
Code	Description		Code	Inches	Code	Size	Code	Style
G	304 SST	1	S	10	1T	1" NPT	Blank	DOE/SOE 222
			D	20			-226	226 bayonet

Specifications are subject to change without notification.
For User Responsibility Statement, see www.parker.com/safety

© 2014 Parker Hannifin Corporation
domnick hunter Process Filtration - North America
All Rights Reserved
Fulflo is a registered trademark of Parker-Hannifin Corporation
Viton is a registered trademark of E.I. DuPont de Nemours & Co., Inc.

